

# SAFETY - YOUR OWN INTEREST!



# SAFETY

<b>1. Preface</b>	<b>2</b>
<b>2. Safety notices and remarks for users</b>	<b>3</b>
2.1. General safety rules	3
2.2. Safety notices	3
2.3. Obligations and warranty of users	3
2.4. To the user's attention	4
2.5. General possibility of danger related to this equipment	5
2.6. Safety equipment	5
2.7. Personal protective outfit	5
<b>3. Operational safety</b>	<b>6</b>
3.1. Modifications of equipment	6
3.2. Warranty provisions	6
3.3. Copyright	6
<b>4. Safety provisions for repairs, maintenance, cleaning</b>	<b>7</b>
4.1. Maintenance	7
4.2. Service / maintenance and repair works	7
4.3. Pay attention to Operation instruction	7
<b>5. Warranty</b>	<b>8</b>
5.1. Warranty and guarantee	8
5.2. Extinction of repair, warranty and guarantee provisions	9
<b>6. Declaration of conformity</b>	<b>10</b>
6.1. Declaration of conformity	10
6.2. CE- Mark	10
6.3. Type plate	10

## 1. Preface

The present chapter dealing with the safety terms and conditions shall apply for all the chapters of documentation.

The documentation may contain chapters describing parts of equipment not delivered, as they may be categorized as accessory items delivered on demand.

In order to maintain a good overview within the document, this operation instruction does not deal with any possible circumstances of the system installation in a particular case. In addition, it is not possible to take into consideration the total possible variety of operational and maintenance means. Should further information be required, or any kind of problem arises the solution of which is not fully explained in this manual, do not hesitate to address you problem to our team of managers.

GILLES Energie- und Umwelttechnik GmbH & Co KG  
 Koaserbauer Str. 16  
 A-4810 Gmunden  
 Tel. +43 7612 737600  
 Fax +43 7612 73760 17  
[office@gilles.at](mailto:office@gilles.at)

## **2. Safety notices and remarks for users**

### **2.1. General safety rules**

This system is manufactured in compliance with safety rules currently applied in this field of production. Nevertheless, there may be some parts or some equipment functions that cannot be completely isolated or detached due to the character of their mean of operation or handling. That is why an adequate and well established safety practice is required in order to assure an efficient protection both of equipment and persons. The system presented here may represent a possible danger for not adequately skilled staff installing the system or putting it into operation.

### **2.2. Safety notices**

- It is utmost important to read the Operation instruction before the initial starting the heating boiler.
- **The heating boiler may be used only for the specified purposes!**

#### **USE FOR SPECIFIED PURPOSES:**

The heating boiler may be used solely for the central heating purposes, as it is specified in the enclosed description manual. It is extremely important to avoid use of any PVC or any similar toxic materials in heating boiler.

- In order to avoid any dangerous situation during the heating boiler operation, any works related with the heating system handling must be carried out while bearing in mind the safety of operation. The protective covers must not be removed or disassembled.
- The heating boiler must be installed in a room suitable for these purposes.
- Any modifications of the boiler may be performed only upon the consultation with the manufacturer.
- Please observe the plates containing notices or warnings.
- Only trained or authorised persons may operate or maintain the heating system.
- The Operation instruction must be kept near the equipment.
- In addition to the operation instruction, the other official, generally valid and binding rules and regulations concerning the safety of people and environment protection apply as being in force in the countries where our heating systems are used.

### **2.3. Obligations and warranty of users:**

Any person involved in presentation, putting into operation, handling, servicing and maintenance of the equipment must:

- be properly qualified,
- duly observe the present Operation instruction,
- assure the protection of the equipment against the manipulation by unauthorized persons or to prevent their access to it, or to the dangerous area of the heating system.

In case of improper handling or use, there is a danger of

- menacing the operator's health or life,
- damaging the equipment or other property,
- decreasing of the equipment operation efficiency.

## 2.4. To the user's attention

The present Operation instruction contains important information, inevitable for a safe and economical operation of the system. Any person authorised for using, maintenance and up keeping of the equipment, must be well informed about the content of this manual.

Operation instruction does not contain information to the repair works. As a rule, any repair works must be carried out by specialists of the current Customers Service division.

Hereinafter, please pay attention to the following important graphic symbols used in the Operation instruction and to their meaning.

Please read them carefully and remember their meaning.



The symbol attracts your attention to the direct danger.  
The non observance may result in the extremely hard injuries.  
Keep this warning in mind and act very cautiously.



The symbol alerts a possible danger when using the equipment. The non observance may result in the extremely hard injuries.



Bear in mind, the situation is dangerous. The non observance may result in minor injuries.



There is a possibility of a harmful situation. The non observance may result in minor injuries, or material damages

**INFO**

Information about the correct way of handling or operating the equipment. Read it carefully to avoid a possible malfunction or a breakdown of machine.

## 2.5. General possibility of danger occurrence related to this equipment

As far as the purpose and the operation way enable it, all the dangerous places shall be protected in such a manner that nothing endangers the life of the handling personnel, provided, the safety rules and operation device is operated as prescribed. During the operation there is not necessary to manipulate the device in the space of operation, and thus any manipulation is forbidden. The protection equipment is installed so that it need not be removed for enabling a free access to the operation place.

In case of an inadequate working procedure or careless handling, the following possible sources of danger may arise:

- a) mechanical danger, caused by:
  - shearing and cutting
  - catching, pulling, wiggling
  - free movable parts
- b) electrical danger caused by:
  - contact with electricity(direct or indirect)
  - engine under voltage even if switched off
- c) combination of potentially dangerous situations:
  - unsound installation
  - defect on the current source
- d) other potential danger generally not seen:
  - fire
  - electrical wiring defect
  - dangerous performances on electrical devices
  - incorrect installations

## 2.6. Safety equipment

As safety equipment is considered any facility connected with the device used and intended for protection of user or third person.



The removal of safety equipment or protective covers is forbidden.

The facility may operate only if duly equipped by all necessary safety devices that must be functional. Their functionality must be examined regularly.

## 2.7. Personal protective outfit

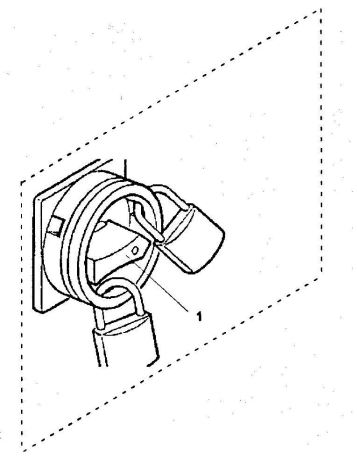


The lose-fitting clothes are required when operating the equipment.



The protective glasses and suitable gloves are used when cleaning the equipment.

### 3. Operational safety



- Before starting any service or maintenance work, switch off the device by the **NOT-AUS** on the control and on the main switch (1) and secure it by a lock..
- In situation when operating staff or the device is in danger, the machine may be switched off by NOT-AUS button on the control panel or/and on the main (1) by turning it to the position AUS.
- If the equipment stops and the reasons are unknown, do not switch it immediately. Somebody could stop the machine for some manual operation and had no time enough to secure it against restarting. Such an unexpected and sudden start of machine could result in a very hard injury of your fellow worker.
- Only entrusted persons are allowed to operate the system.
- Do not make any modifications of the protective devices, do not remove them, walk around, nor bridge them over.
- Do not permit to anybody to stay in the dangerous areas.
- Only qualified staff is allowed to operate the facility.

#### 3.1. Modifications of equipment



**WARNING**

Any modifications, changes or additional extensions may be made only upon the preceding consultation with Gilles company or with its service partners. Modifications in those parts carried out without consulting them with the GILLES company's staff, or with its service partner may damage the device.

#### 3.2. Warranty provisions

In compliance with the delivery terms, the warranty enters in force on the moment of the goods selling.

The warranty shall extinguish:

- in case of an inadequate operation,
- in case of an intervention or modification of the facility by customer or any other person unauthorised by the manufacturer and that do not belong to the manufacturer's service staff,
- in case of poor and unsatisfactory maintenance.

#### 3.3. Copyright

© Copyright by:

GILLES Energie- und Umwelttechnik GmbH & Co KG

Koaserbauer Str. 16

A-4810 Gmunden

Tel. +43 7612 737600

Fax +43 7612 73760 17

[office@gilles.at](mailto:office@gilles.at)

## 4. Safety provisions for repairs, maintenance, cleaning



Before starting any maintenance works, the heating system must be switched off on the master – main switch and secured by the lock.

**WARNING** Only authorised specialists are allowed to carry out any repair or maintenance works.

The damaged or removed warning plates, labels or safety inscriptions must be immediately renewed. After the accomplishment of maintenance works, all the dismantled protective parts must be again installed in a professional manner. Any unwarranted modifications or changes made on the machine are menacing the safety both of the operation persons and machine, and therefore they are not allowed. The spare parts must comply with the technical requirements specified by the manufacturer. Recommendation: use only original spare parts.

### 4.1. Maintenance

GILLES company does not take over liabilities for any injuries suffered by person and material damages caused by improper, careless or inadequate maintenance, repair or servicing works, as well as for any such damages caused by persons not belonging to the service staff of the GILLES company.

### 4.2. Service / maintenance and repair works

All the equipment parts were so designed that there is a guarantee of their performance requiring fast no maintenance. Any safety and protective parts if removed during an eventual maintenance must be immediately installed on their place, and their proper functioning must be checked out.

Only authorised skilled and trained specialists are allowed to carry out any repair or maintenance works.



**Attention:**

**DANGER**

During any operation related with servicing, maintenance or repair of the machine the main – master switch must be switched off.

Only original spare parts may be used for replacing of some machine parts. The disassembled parts must be kept for later use, or sent for their possible repair to the GILLES company centre.

GILLES company does not take over liabilities for any injuries suffered by person and material damages caused by improper, careless or inadequate maintenance, repair or servicing works, as well as for any such damages caused by persons not belonging to the service staff of the GILLES company.

### 4.3. Pay attention to Operation instruction

Under the Operation instruction the rules of a problemless operation drawn up by the entrepreneur are understood. For the purposes of this manual, the Operation instruction is considered as obligatory rule binding for the user. The general obligation of the entrepreneur to draw up and to issue the operation instruction shall be based on the „ General regulation“ dealing with the rules on the accident prevention. According to this document and for the above mentioned purposes, the entrepreneur is obliged to issue the relevant directives and instruct users of the respective machine about the measures to be taken in order to assure prevention of any accidents. The entrepreneur may fulfil this obligation by means of stipulations contained in his operation instruction. Any warnings or notes on the plates attached must be observed.

## 5. Warranty

### 5.1. Warranty and guarantee

#### WARRANTY

The warranty period for:

- a. movable goods and/or parts shall be 2 years and
- b. for non movable good and/or parts shall be 3 years.

The warranty period starts on the date of delivery of goods. The term “delivery of goods” for the guarantee purposes is considered the completed delivery and installation of the warranty goods to the given place.

It is implicitly necessary to notice that the warranty object’s performance during the warranty and later periods is possible only when documentation on its performance is duly described, specified and delivered together therewith, as an unconditionally necessary part of the delivered goods.

The performance documentation covers:

- a. installation and operation instruction,
- b. maintenance and service scheme.

Upon accepting goods, the Buyer is obliged to announce any defects found in writing and immediately, but not later than before the warranty period termination.

The Seller is obliged to remedy any damages resulting out of construction, material or manufacturing faults that could hamper the use of the goods in a manner as later specified. The Buyer may refer to this article only if he announced the found defect immediately and in writing. The Seller informed in this manner about a fault on the goods and obliged to rectify it in compliance with this article, may decide to:

- a. repair the defective goods directly on site,
- b. let dispatch the defective goods or parts back to Seller for reparation,
- c. replace the defective goods or parts.

Unless otherwise agreed, and if the Seller lets bring the defective product or its parts back for their reparation or replacement, Buyer shall bear all the transportation costs and risks. On the other hand, Seller is liable for the transportation costs and risks when he dispatches the repaired or replaced product or its parts back to Buyer, provided, no other agreement was concluded in this matter.

The goods and parts replaced according to the provisions of this Article remain to the disposal of Seller. Should Buyer remedy the found damages he himself, Seller is bound to pay them only if he expressed his agreement with such manner of the defect repair in writing. The Seller shall supply guarantee for any parts of the goods, he arranged from the third party only within the guarantee scope, he is liable to his supplier. Should the Seller manufacture the goods according to the construction data, design or model provided by the Buyer, the guarantee does not cover the accuracy of the construction, but the fact, the realisation was in accordance with the Buyer’s specifications. In such a case, the Buyer shall indemnify the Seller for any breaking of the Seller’s protective rights. The Seller’s guarantee obligation is considered null and void in case of the force majeure or similar conditions occurrence, as specified in Article 7 of the Delivery terms and conditions, resulting in defects and damaging of the delivered goods or its parts.

The Seller’s guarantee shall cover only defects occurred under observing any manuals dealing with the performance of equipment, operation conditions, and damages arisen under conditions of the normal use. The guarantee shall not cover damages caused by bad installation of the facility performed by the Buyer or carried out on behalf of him, damages caused by an inadequate maintenance, incorrect repair works carried out without the prior written permission of Seller, or damages due to modifications made by another person than the Seller or his authorised person. In addition, the guarantee shall not cover the normal wear and tear of parts subject to wear and normal depreciation not causing functional defects.

The Seller shall not afford any guarantee in case of ordering a repair or modification of older or other than Seller’s own goods, as well as in case of delivering of the already used goods.

From the date of starting the guarantee period, the Seller shall not supply any other warranties except those specified in this Article.

It shall be considered as expressly agreed that the Seller shall not be bound to reimburse any damages to property or person's health and injuries, not being subject matter of the contract. The goods, being subject matter of purchase, provide safety that can be awaited only within the range of approving rules, operation instructions, user's manuals, and other Seller's instructions concerning the instructions dealing with the handling manner, namely with regard to the prescribed examinations or any other notices. As far as the damage could be considered as caused by a wilful or other serious default of the Seller, the reimbursement sum is limited to the product mandatory insurance.

The warranty provision starts in the moment of the goods handing over (delivery note). Our company shall supply guarantee for any defections found on the delivered goods, provided, all the technical documentation was duly observed. The guarantee periods are regulated by the current law in force.

### GUARANTEE

The guarantee period starts in the moment of the goods handing over. The guarantee covers technical, construction and workmanship defects restraining the normal trouble free use of the goods. Our company does not provide any warranty for parts that are not of our production. Nevertheless, we are ready to waive our claims against the buyer related with such defective goods from producer.

There is no reason to put forward a claim for guarantee in case of an incompetent handling or interference with the equipment without our expressed permission. In addition, the invoice must be settled in the specified maturity time. Any defect that occurs, must be noticed duly and in time, in order to have possibility to ascertain its causes.

When fulfilling our obligations resulting out of afforded guarantee / warranty, we shall cover only the installation time and used material, not every necessary trips and accommodation expenses of our installation crew or possible costs of freight for return transportation. We do not afford warranty of any further expenses. We shall assure the repairs or replacements of parts under guarantee upon our decision, either directly on site or in our works. Likewise, Gilles company shall decide, whether a defect part is to be repaired, or replaced free of charge.

## **5.2. Extinction of repair, warranty and guarantee provisions**

Any repairs, warranties and guarantees become extinct when at least one of the following points occurs:

- Installation and operations instruction are not observed,
- absence of an device disconnecting the backward running,
- putting into operation and repair carried out by non authorised companies,
- wilful damage,
- improper operation and careless maintenance and cleaning,
- damages caused by "force majeure" (water, fire, etc.),
- damages during transportation,
- it is nearly impossible to produce some varnished parts utterly without any varnish imperfections, or to handle them so that no varnish defect occurs, that is why the small and from the functional point of view negligible imperfections do not represent a reason o put forward a guarantee claim,
- damages caused by using unsuitable fuels,
- shortage of energy or water.

The data specified in our documentation are non-committal; our company reserves the right to some changes in design, constructions amendments, values and type adaptations, due to the product upgrading.

## 6. Declaration of conformity

### 6.1. Declaration of conformity

#### EC Declaration of conformity for machines

In accordance with EC Directive on machines DIN EN ISO 12100-1-2004

The manufacturer, Firm GILLES hereby declares that the design and the type of new machines as they are put on the market and described in this documentation, are in compliance with the following standards.

The design and type of the machines is in conformity with the following harmonised standards:

DIN EN ISO 12100-1-2004 – Safety of machines, general terms, incl. guides in force...

DIN EN ISO 12100-1-2004 – Technical guides and specifications

DIN 4702

EN 303-5-1999 – Heating boilers

EN 294 - Safety of machines; devices and equipment; safety distance

EN 349 - Safety of machines; Minimum distances for prevention of pressing

EN 60 204-1- Safety of machines; Electrical equipment of machines

EC – Directive on machines 93/68/EEC

EC – Low voltage directive 73/23/EEC

Declaration of conformity shall be handed over together with a short user's manual, on the occasion of putting the equipment in operation.

### 6.2. CE- Mark

The GILLES heating systems are delivered with CE mark placed near the type plate.



### 6.3. Type plate

The type plate is attached on one side of the boiler housing, under the regulation panel, mostly on the side, where the burner is attached. The type plate contains information on type, year of production, serial number, heat output, permissible input temperature, water content, allowable operation pressure, manufacturer's name and address.

<b>Model:</b>	HPK- RA 75	<b>Water Content:</b>	220 Liter
<b>Year of Construction:</b>	2008	<b>Max. Allowable Operation Temperature:</b>	95 °C
<b>Serial - Number:</b>		<b>Max. Allowable Operation Pressure:</b>	3 bar
<b>Nominal Heat Output Woodchip:</b>	kW	<b>Power Supply:</b>	400 V
<b>Nominal Heat Output Woodpellet:</b>	75 kW		50 Hz
<b>Boiler Category:</b>	3		max. 4,6 A
			max. 3,0 kW
<b>Manufacturer:</b> GILLES Energie- und Umwelttechnik GmbH & Co KG 4810 Gmunden ; Kooserbauerstraße 16 e-mail: office@gilles.at Tel.: +43/ 76 12/ 73760-0 ; Fax: +43/ 76 12/ 73760-17 <b>Title to goods:</b> The Seller shall retain the title to goods sold under contract until the complete fulfillment of all the financial and other agreed obligations, or obligations arising out of General Sales and Delivery Terms and Conditions. Should not be the delivered goods paid completely, the Seller shall be entitled to take back the subject of delivery without the preceding appeal or claiming his rights by prosecution. The Seller shall be entitled to draw the attention to his title to goods also outwards. The Buyer shall be obliged to observe the official regulations concerning the property clause. In case of an execution or any other claims, the Buyer shall be obliged to assert the Seller's ownership rights and inform the Seller of such circumstances without any delay.			