

For sealed heating installations (acc. to EN12828) and chilled water (cooling) installations.

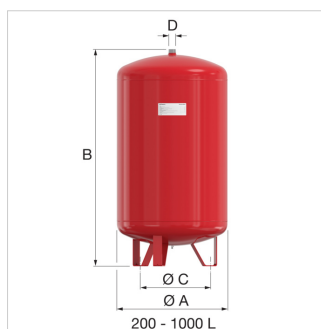
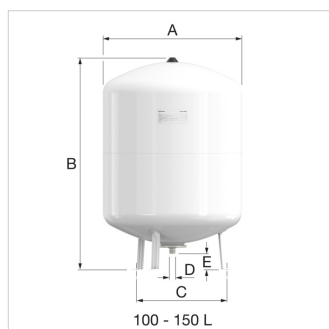
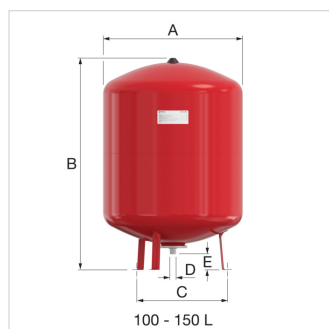



Advantages


- Nitrogen gas filling for longer maintenance of pre-pressure.
- Each vessel is factory tested.
- Diaphragm: Flexible rubber with rolling action.

Technical Specifications

- Maximum working pressure: 6.0 bar.
- Vessels in accordance with EN13831.
- Suitable for systems with a maximum system temperature of 120 °C.
- Min./ max. temperature diaphragm: -10 / 70 °C.
- Suitable for addition of glycol-based anti-freeze up to 50%.
- All welded construction.
- In accordance with Pressure Equipment Directive 2014/68/EU.
- Tilting height:
800L: 1865 mm.
1000L: 2195 mm.
- Red (RAL 3002) epoxy powder coating.



| Type | Capacity [l] | Pre-charge [bar] | Dimensions | | | | Syst. conn. (D) | Weight [kg] |  | Order Code |
|----------------------------------|--------------|------------------|------------|--------|----------|--------|-----------------|-------------|---|------------|
| | | | Ø A [mm] | B [mm] | Ø C [mm] | E [mm] | | | | |
| Contraflex 100/1.5 [6bar] | 100 | 1.5 | 550 | 630 | 440 | 63 | G 3/4" M | 13.9 | 8 | 26103 |
| Contraflex 100/2.5 [6bar] | 100 | 2.5 | 550 | 630 | 440 | 63 | G 3/4" M | 13.9 | 8 | 26105 |
| Contraflex 100/2.5 [6bar] white | 100 | 2.5 | 550 | 630 | 440 | 63 | G 3/4" M | 13.9 | 8 | 16350 |
| Contraflex 100/3.0 [6bar] | 100 | 3.0 | 550 | 630 | 440 | 63 | G 3/4" M | 13.9 | 8 | 17114 |
| Contraflex 150/1.5 [6bar] | 150 | 1.5 | 550 | 837 | 440 | 63 | G 3/4" M | 17.6 | 8 | 16153 |
| Contraflex 150/2.5 [6bar] | 150 | 2.5 | 550 | 837 | 440 | 63 | G 3/4" M | 17.6 | 8 | 26155 |
| Contraflex 150/2.5 [6bar] white | 150 | 2.5 | 550 | 837 | 440 | 63 | G 3/4" M | 17.6 | 8 | 16351 |
| Contraflex 150/3.0 [6bar] | 150 | 3.0 | 550 | 837 | 440 | 63 | G 3/4" M | 17.6 | 8 | 17119 |
| Contraflex 200/1.5 [6bar] | 200 | 1.5 | 484 | 1300 | 360 | - | R 1" | 25.0 | 8 | 26213 |
| Contraflex 200/2.5 [6bar] | 200 | 2.5 | 484 | 1300 | 360 | - | R 1" | 25.0 | 8 | 26215 |
| Contraflex 200/2.5 [6bar] white | 200 | 2.5 | 484 | 1300 | 360 | - | R 1" | 25.0 | 8 | 16352 |
| Contraflex 200/3.0 [6bar] | 200 | 3.0 | 484 | 1300 | 360 | - | R 1" | 25.0 | 8 | 17124 |
| Contraflex 250/1.5 [6bar] | 250 | 1.5 | 600 | 1153 | 450 | - | R 1" | 31.8 | 6 | 16253 |
| Contraflex 250/2.5 [6bar] | 250 | 2.5 | 600 | 1153 | 450 | - | R 1" | 31.8 | 6 | 26225 |
| Contraflex 250/2.5 [6bar] white | 250 | 2.5 | 600 | 1153 | 450 | - | R 1" | 31.8 | 6 | 16353 |
| Contraflex 300/1.5 [6bar] | 300 | 1.5 | 600 | 1330 | 450 | - | R 1" | 35.6 | 6 | 26303 |
| Contraflex 300/2.5 [6bar] | 300 | 2.5 | 600 | 1330 | 450 | - | R 1" | 35.6 | 6 | 26305 |
| Contraflex 300/2.5 [6bar] white | 300 | 2.5 | 600 | 1330 | 450 | - | R 1" | 35.6 | 6 | 16354 |
| Contraflex 300/3.0 [6bar] | 300 | 3.0 | 600 | 1330 | 450 | - | R 1" | 35.6 | 6 | 17134 |
| Contraflex 400/1.5 [6bar] | 400 | 1.5 | 790 | 1180 | 610 | - | R 1" | 53.4 | 1 | 26413 |
| Contraflex 400/2.5 [6bar] | 400 | 2.5 | 790 | 1180 | 610 | - | R 1" | 53.4 | 1 | 26415 |
| Contraflex 400/2.5 [6bar] white | 400 | 2.5 | 790 | 1180 | 610 | - | R 1" | 53.4 | 1 | 16355 |
| Contraflex 400/3.0 [6bar] | 400 | 3.0 | 790 | 1180 | 610 | - | R 1" | 53.4 | 1 | 17144 |
| Contraflex 500/1.5 [6bar] | 500 | 1.5 | 790 | 1330 | 610 | - | R 1" | 60.2 | 1 | 26523 |
| Contraflex 500/2.5 [6bar] | 500 | 2.5 | 790 | 1330 | 610 | - | R 1" | 60.2 | 1 | 26525 |
| Contraflex 500/2.5 [6bar] white | 500 | 2.5 | 790 | 1330 | 610 | - | R 1" | 60.2 | 1 | 16356 |
| Contraflex 600/1.5 [6bar] | 600 | 1.5 | 790 | 1538 | 610 | - | R 1" | 67.0 | 1 | 17162 |
| Contraflex 600/2.5 [6bar] | 600 | 2.5 | 790 | 1538 | 610 | - | R 1" | 67.0 | 1 | 26625 |
| Contraflex 600/2.5 [6bar] white | 600 | 2.5 | 790 | 1538 | 610 | - | R 1" | 67.0 | 1 | 16357 |
| Contraflex 600/3.0 [6bar] | 600 | 3.0 | 790 | 1538 | 610 | - | R 1" | 67.0 | 1 | 17164 |
| Contraflex 800/1.5 [6bar] | 800 | 1.5 | 790 | 1888 | 610 | - | R 1" | 84.2 | 1 | 17181 |
| Contraflex 800/2.5 [6bar] | 800 | 2.5 | 790 | 1888 | 610 | - | R 1" | 84.2 | 1 | 26825 |
| Contraflex 800/2.5 [6bar] white | 800 | 2.5 | 790 | 1888 | 610 | - | R 1" | 84.2 | 1 | 16358 |
| Contraflex 800/3.0 [6bar] | 800 | 3.0 | 790 | 1888 | 610 | - | R 1" | 84.2 | 1 | 17184 |
| Contraflex 1000/1.5 [6bar] | 1000 | 1.5 | 790 | 2268 | 610 | - | R 1" | 95.0 | 1 | 17190 |
| Contraflex 1000/2.5 [6bar] | 1000 | 2.5 | 790 | 2268 | 610 | - | R 1" | 95.0 | 1 | 26925 |
| Contraflex 1000/2.5 [6bar] white | 1000 | 2.5 | 790 | 2268 | 610 | - | R 1" | 95.0 | 1 | 16359 |

| Type | Capacity [l] | Pre-charge [bar] | Dimensions | | | | Syst. conn. (D) | Weight [kg] |  | Order Code |
|----------------------------|--------------|------------------|------------|--------|----------|--------|-----------------|-------------|---|------------|
| | | | Ø A [mm] | B [mm] | Ø C [mm] | E [mm] | | | | |
| Contraflex 1000/3.0 [6bar] | 1000 | 3.0 | 790 | 2268 | 610 | - | R 1" | 95.0 | 1 | 17194 |


Find more information online:
[Installation and operating instruction](#)
[Declaration of conformity PED 2014/68/EU](#)
[Declaration of conformity UKCA](#)
[Contraflex DWG](#)
[Contraflex RFA](#)
[Contraflex STEP](#)
[Packaging data](#)

Fort Blauwkapel 1
1358 DB, Almere - nl

T +31 (0)36 52 62 300

E info@aalberts-hfc.com

I flamcogroup.com